

Product datasheet

Specifications

braking resistor - 10 ohm - 400 W -
cable 2 m - IP65



VW3A7601R20

Main

Range of product	Altivar Lexium
Range compatibility	Lexium 15 Lexium 52 Lexium 28 Lexium 05 Lexium 32 Lexium 32i
Product or component type	Braking resistor
Ohmic value	10 Ohm

Complementary

Energy peak	7300 J at 400 V 7300 J at 480 V 13300 J at 230 V 18800 J at 115 V
Continuous power	400 W
Protection type	Thermal protection via the servo drive
Net weight	1.47 kg
Cable length	2 m

Environment

IP degree of protection	IP65
Ambient air temperature for storage	-25...85 °C
Ambient air temperature for operation	0...50 °C

Packing Units

Unit Type of Package 1	PCE
Number of Units in Package 1	1
Package 1 Height	4.500 cm
Package 1 Width	40.000 cm
Package 1 Length	13.000 cm
Package 1 Weight	1.470 kg
Unit Type of Package 2	S03
Number of Units in Package 2	3
Package 2 Height	30 cm

Excluding VAT and subject to change. Please check with your local distributor through "Where to buy"

Package 2 Width	30 cm
Package 2 Length	40 cm
Package 2 Weight	4.830 kg
Unit Type of Package 3	P06
Number of Units in Package 3	24
Package 3 Height	75.000 cm
Package 3 Width	80.000 cm
Package 3 Length	60.000 cm
Package 3 Weight	46.640 kg

Contractual warranty

Warranty (in months)	18
----------------------	----



Environmental Data

Schneider Electric aims to achieve Net Zero status by 2050 through supply chain partnerships, lower impact materials, and circularity via our ongoing “Use Better, Use Longer, Use Again” campaign to extend product lifetimes and recyclability.

[Environmental Data explained >](#)

[How we assess product sustainability >](#)

Use Better

Materials and Substances	
Packaging made with recycled cardboard	No
Packaging without single use plastic	No
EU RoHS Directive	Pro-active compliance (Product out of EU RoHS legal scope)
REACH Regulation	REACH Declaration
PVC free	Yes

Use Longer

Lifetime extension	
Repair	No

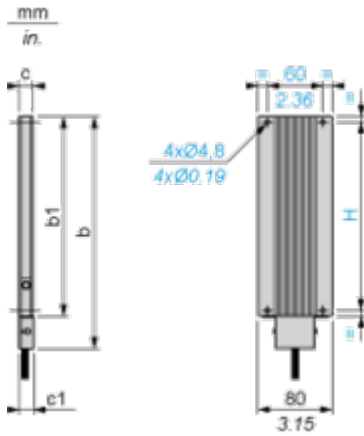
Use Again

Repack and remanufacture	
Take-back	No

Dimensions Drawings

Braking Resistor

Dimensions



Dimensions in mm

b	b1	c	c1	H
257	216	30	-	204

Dimensions in in.

b	b1	c	c1	H
10.11	8.50	1.18	-	8.03