

Product datasheet

Specifications



braking resistor - 28 ohms - 5.1 kW - IP23

VW3A7752

Price: 18,927.96 ZAR

Main

Range compatibility	Altivar Process ATV900 Altivar Machine ATV340
Product or component type	Braking resistor
Ohmic value	28 Ohm
[Ue] rated operational voltage	24 V DC 250 V AC

Complementary

Product compatibility	Variable speed drive ATV930 wall mount 11 kW 380...480 V severe cycle Variable speed drive ATV930 wall mount 15 kW 380...480 V severe cycle Variable speed drive ATV930 wall mount 4 kW 200...240 V severe cycle Variable speed drive ATV950 wall mount 11 kW 380...480 V severe cycle Variable speed drive ATV950 wall mount 15 kW 380...480 V severe cycle Variable speed drive ATV340 7.5 kW 380...480 V severe cycle Variable speed drive ATV340 11 kW 380...480 V severe cycle Variable speed drive ATV930 15 kW 500...690 V severe cycle Variable speed drive ATV930 18.5 kW 500...690 V severe cycle Variable speed drive ATV930 20 hp 600 V severe cycle Variable speed drive ATV930 25 hp 600 V severe cycle
Duty cycle	Severe cycle (heavy duty) <54 s braking with 100 % braking torque for a 120 s cycle Severe cycle (heavy duty) <6 s braking with 165 % braking torque for a 120 s cycle
Average power available	5.1 kW at 50 °C
Electrical connection	terminal, connection capacity: <= 2.5 mm ² / AWG 12 for temperature control switch M6 bar wire for drive
Protection type	Thermal protection via drive or temperature control switch at 120 °C
Width	540 mm
Height	485 mm
Depth	650 mm
Net weight	27 kg

Environment

IP degree of protection	IP23
Ambient air temperature for storage	-25...70 °C
Ambient air temperature for operation	0...50 °C

Packing Units

Unit Type of Package 1	PCE
Number of Units in Package 1	1
Package 1 Height	58.000 cm

Excluding VAT and subject to change. Please check with your local distributor through "Where to buy"

Package 1 Width	58.000 cm
Package 1 Length	71.000 cm
Package 1 Weight	23.900 kg

Contractual warranty

Warranty (in months)	18
-----------------------------	----



Environmental Data

Schneider Electric aims to achieve Net Zero status by 2050 through supply chain partnerships, lower impact materials, and circularity via our ongoing “Use Better, Use Longer, Use Again” campaign to extend product lifetimes and recyclability.

[Environmental Data explained >](#)

[How we assess product sustainability >](#)

Use Better



Materials and Substances

Packaging made with recycled cardboard

No

Packaging without single use plastic

No

[EU RoHS Directive](#)

Pro-active compliance (Product out of EU RoHS legal scope)

REACH Regulation

[REACH Declaration](#)

Use Longer



Lifetime extension

Repair

No

Use Again



Repack and remanufacture

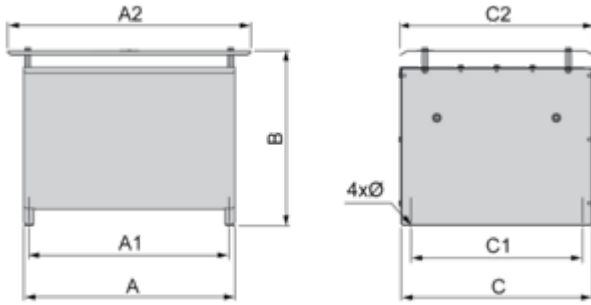
Take-back

No

Dimensions Drawings

Dimensions

Right Side and Front View



Dimensions in mm

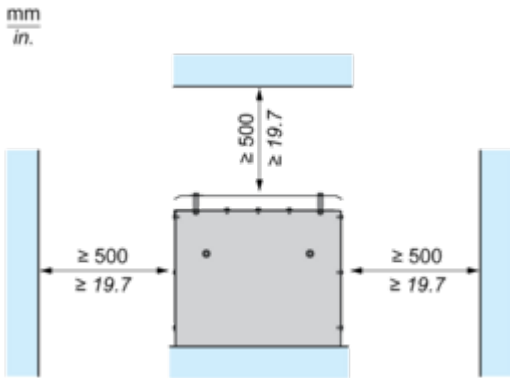
A	B	C	A1	C1	A2	C2	Ø
530	485	485	510	380	650	540	9 x 12

Dimensions in in.

A	B	C	A1	C1	A2	C2	Ø
20.87	19.09	19.09	20.08	14.96	25.59	21.26	0.35 x 0.47

Mounting and Clearance

Clearances



Connections and Schema

Recommended Schema

1 Braking Resistor



A1 : Drive or external braking unit

A2 : Braking resistor

PA, PB : Bus DC

2 Braking Resistors



A1 : Drive or external braking unit

A2 : Braking resistor

PA, PB : Bus DC