

Product datasheet

Specifications

braking resistor - 8 ohms - 25 kW - IP23



VW3A7755

Price: 83,990.50 ZAR

Main

Range compatibility	Altivar Process ATV900 Altivar Machine ATV340
Product or component type	Braking resistor
Ohmic value	8 Ohm
[Ue] rated operational voltage	24 V DC 250 V AC

Complementary

Product compatibility	Variable speed drive ATV930 wall mount 55 kW 380...480 V severe cycle Variable speed drive ATV930 wall mount 15 kW 200...240 V severe cycle Variable speed drive ATV950 wall mount 55 kW 380...480 V severe cycle Variable speed drive ATV340 45 kW 380...480 V severe cycle Variable speed drive ATV930 75 kW 500...690 V severe cycle Variable speed drive ATV930 90 kW 500...690 V severe cycle Variable speed drive ATV930 100 hp 600 V severe cycle
Duty cycle	Severe cycle (heavy duty) <54 s braking with 100 % braking torque for a 120 s cycle Severe cycle (heavy duty) <6 s braking with 165 % braking torque for a 120 s cycle
Average power available	25 kW at 50 °C
Electrical connection	terminal, connection capacity: <= 2.5 mm ² / AWG 12 for temperature control switch M12 bar wire for drive
Protection type	Thermal protection via drive or temperature control switch at 120 °C
Width	540 mm
Height	1035 mm
Depth	1060 mm
Net weight	87.5 kg

Environment

IP degree of protection	IP23
Ambient air temperature for storage	-25...70 °C
Ambient air temperature for operation	0...50 °C

Packing Units

Unit Type of Package 1	PCE
Number of Units in Package 1	1
Package 1 Height	160.000 cm
Package 1 Width	80.000 cm
Package 1 Length	120.000 cm

Excluding VAT and subject to change. Please check with your local distributor through "Where to buy"

Package 1 Weight	128.000 kg
------------------	------------

Contractual warranty

Warranty (in months)	18
----------------------	----



Environmental Data

Schneider Electric aims to achieve Net Zero status by 2050 through supply chain partnerships, lower impact materials, and circularity via our ongoing “Use Better, Use Longer, Use Again” campaign to extend product lifetimes and recyclability.

[Environmental Data explained >](#)

[How we assess product sustainability >](#)

Use Better



Materials and Substances

Packaging made with recycled cardboard

No

Packaging without single use plastic

No

[EU RoHS Directive](#)

Pro-active compliance (Product out of EU RoHS legal scope)

REACH Regulation

[REACH Declaration](#)

Use Longer



Lifetime extension

Repair

No

Use Again



Repack and remanufacture

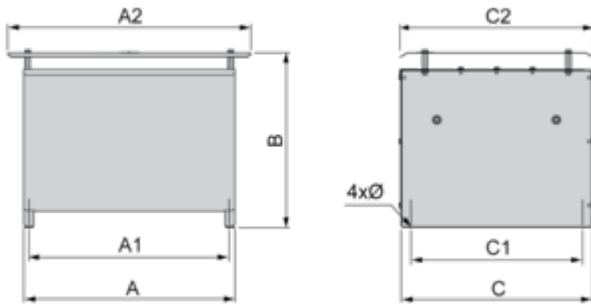
Take-back

No

Dimensions Drawings

Dimensions

Right Side and Front View



Dimensions in mm

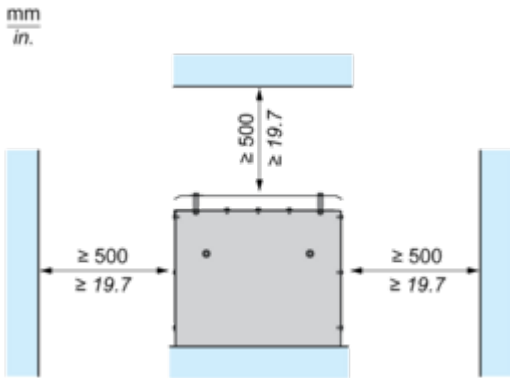
A	B	C	A1	C1	A2	C2	Ø
940	1035	485	920	380	1060	540	9 x 12

Dimensions in in.

A	B	C	A1	C1	A2	C2	Ø
37.00	40.75	19.09	36.22	14.96	41.73	21.26	0.35 x 0.47

Mounting and Clearance

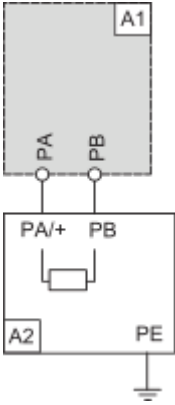
Clearances



Connections and Schema

Recommended Schema

1 Braking Resistor

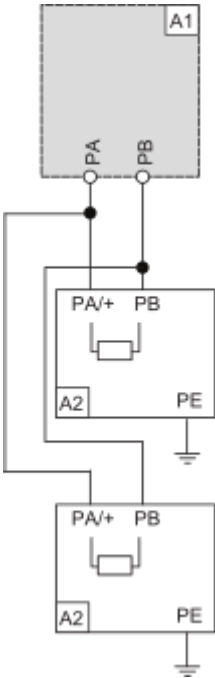


A1 : Drive or external braking unit

A2 : Braking resistor

PA, PB : Bus DC

2 Braking Resistors



A1 : Drive or external braking unit

A2 : Braking resistor

PA, PB : Bus DC