

Product datasheet

Specifications



braking resistor - 8 ohms - 3.8 kW - IP23

VW3A7745

Price: 37,461.46 ZAR

Main

Range compatibility	Altivar Machine ATV340 Altivar Process ATV900
Product or component type	Braking resistor
Ohmic value	8 Ohm
[Ue] rated operational voltage	24 V DC 250 V AC

Complementary

Product compatibility	Variable speed drive ATV930 wall mount 55 kW 380...480 V medium cycle Variable speed drive ATV950 wall mount 55 kW 380...480 V medium cycle Variable speed drive ATV340 45 kW 380...480 V medium cycle Variable speed drive ATV930 45 kW 500...690 V medium cycle Variable speed drive ATV930 55 kW 500...690 V medium cycle Variable speed drive ATV930 60 hp 600 V medium cycle Variable speed drive ATV930 75 hp 600 V medium cycle
Duty cycle	Medium cycle (normal duty) <4 s braking with 135 % braking torque for a 40 s cycle Medium cycle (heavy duty) <4 s braking with 165 % braking torque for a 40 s cycle
Average power available	3.8 kW at 50 °C
Electrical connection	terminal, connection capacity: <= 2.5 mm ² / AWG 12 for temperature control switch M8 bar wire for drive
Protection type	Thermal protection via drive or temperature control switch at 120 °C
Width	540 mm
Height	485 mm
Depth	650 mm
Net weight	25.5 kg

Environment

IP degree of protection	IP23
Ambient air temperature for storage	-25...70 °C
Ambient air temperature for operation	0...50 °C

Packing Units

Unit Type of Package 1	PCE
Number of Units in Package 1	1
Package 1 Height	58.000 cm
Package 1 Width	58.000 cm
Package 1 Length	69.500 cm

Excluding VAT and subject to change. Please check with your local distributor through "Where to buy"

Package 1 Weight	24.500 kg
------------------	-----------

Contractual warranty

Warranty (in months)	18
----------------------	----



Environmental Data

Schneider Electric aims to achieve Net Zero status by 2050 through supply chain partnerships, lower impact materials, and circularity via our ongoing “Use Better, Use Longer, Use Again” campaign to extend product lifetimes and recyclability.

[Environmental Data explained >](#)

[How we assess product sustainability >](#)

Use Better



Materials and Substances

Packaging made with recycled cardboard

No

Packaging without single use plastic

No

[EU RoHS Directive](#)

Pro-active compliance (Product out of EU RoHS legal scope)

REACH Regulation

[REACH Declaration](#)

Use Longer



Lifetime extension

Repair

No

Use Again



Repack and remanufacture

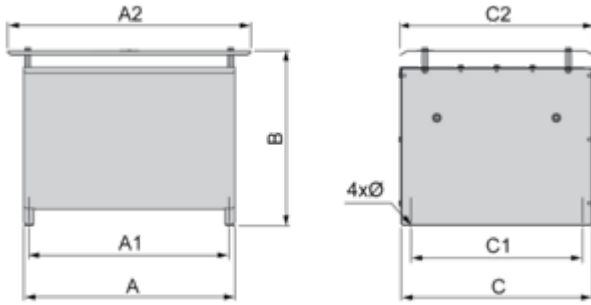
Take-back

No

Dimensions Drawings

Dimensions

Right Side and Front View



Dimensions in mm

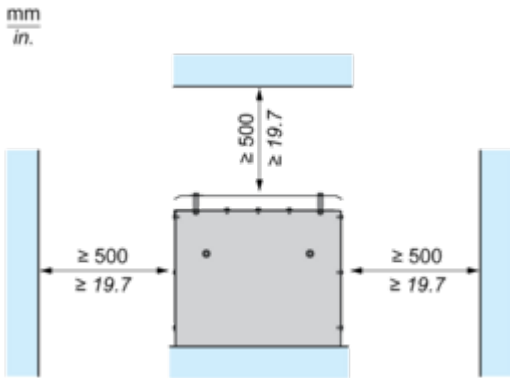
A	B	C	A1	C1	A2	C2	Ø
530	485	485	510	380	650	540	9 x 12

Dimensions in in.

A	B	C	A1	C1	A2	C2	Ø
20.87	19.09	19.09	20.08	14.96	25.59	21.26	0.35 x 0.47

Mounting and Clearance

Clearances



Connections and Schema

Recommended Schema

1 Braking Resistor



A1 : Drive or external braking unit

A2 : Braking resistor

PA, PB : Bus DC

2 Braking Resistors



A1 : Drive or external braking unit

A2 : Braking resistor

PA, PB : Bus DC