

# Product datasheet

Specifications

## braking resistor - 100 Ohm - 100 W - cable 0.75 m - IP65



VW3A7608R07

## Main

Range of product	Altivar Lexium
Range compatibility	Altivar 32 Lexium 15 Lexium 32 Lexium 32i Altivar Machine ATV320 Lexium 52 Easy Altivar 310L Easy Lexium 16
Product compatibility	ATV32H018M2 ATV32H037M2 ATV32H037N4 ATV32H055M2 ATV32H055N4 ATV32H075M2 ATV32H075N4 ATV32HU11N4 ATV32HU15N4 ATV32HU22N4 Variable speed drive ATV320 at 0.18 kW, 200...240 V, single phase Variable speed drive ATV320 at 0.37 kW, 200...240 V, single phase Variable speed drive ATV320 at 0.55 kW, 200...240 V, single phase Variable speed drive ATV320 at 0.75 kW, 200...240 V, single phase Variable speed drive ATV320 at 0.37 kW, 380...500 V, three phase Variable speed drive ATV320 at 0.55 kW, 380...500 V, three phase Variable speed drive ATV320 at 0.75 kW, 380...500 V, three phase Variable speed drive ATV320 at 1.1 kW, 380...500 V, three phase Variable speed drive ATV320 at 1.5 kW, 380...500 V, three phase Variable speed drive ATV320 at 2.2 kW, 380...500 V, three phase Variable speed drive ATV320 at 0.75 kW, 525...600 V, three phase Variable speed drive ATV320 at 1.5 kW, 525...600 V, three phase Variable speed drive ATV320 at 2.2 kW, 525...600 V, three phase Variable speed drive ATV310L at 0.75 kW Variable speed drive ATV310L at 1.5 kW Variable speed drive ATV310L at 2.2 kW Variable speed drive ATV310L at 3.0 kW Variable speed drive ATV310L at 4.0 kW Variable speed drive ATV310L at 5.5 kW Motion servo drive LXM16D at 0.1 kW, 200...230 V, single phase Motion servo drive LXM16D at 0.2 kW, 200...230 V, single phase Motion servo drive LXM16D at 0.4 kW, 200...230 V, single phase Motion servo drive LXM16D at 0.75 kW, 200...230 V, single phase Motion servo drive LXM16D at 1 kW, 200...230 V, single phase Motion servo drive LXM16D at 1.5 kW, 200...230 V, single phase

Product or component type	Braking resistor
Ohmic value	100 Ohm

## Complementary

Energy peak	2700 J at 480 V 3000 J at 400 V 4500 J at 230 V 4400 J at 115 V
Average power available	25 W at 50 °C

Excluding VAT and subject to change. Please check with your local distributor through "Where to buy"

Continuous power	100 W
Protection type	Thermal protection via the servo drive
Net weight	0.41 kg
Cable length	0.75 m

## Environment

IP degree of protection	IP65
Ambient air temperature for storage	-25...85 °C
Ambient air temperature for operation	0...50 °C

## Packing Units

Unit Type of Package 1	PCE
Number of Units in Package 1	1
Package 1 Height	4.570 cm
Package 1 Width	12.700 cm
Package 1 Length	39.880 cm
Package 1 Weight	620.000 g
Unit Type of Package 2	S04
Number of Units in Package 2	18
Package 2 Height	30.000 cm
Package 2 Width	40.000 cm
Package 2 Length	60.000 cm
Package 2 Weight	12.052 kg

## Contractual warranty

Warranty (in months)	18
----------------------	----



## Environmental Data

Schneider Electric aims to achieve Net Zero status by 2050 through supply chain partnerships, lower impact materials, and circularity via our ongoing “Use Better, Use Longer, Use Again” campaign to extend product lifetimes and recyclability.

[Environmental Data explained >](#)

[How we assess product sustainability >](#)

### Use Better

Materials and Substances	
Packaging made with recycled cardboard	No
Packaging without single use plastic	No
<a href="#">EU RoHS Directive</a>	Pro-active compliance (Product out of EU RoHS legal scope)
REACH Regulation	<a href="#">REACH Declaration</a>
PVC free	Yes

### Use Longer

Lifetime extension	
Repair	No

### Use Again

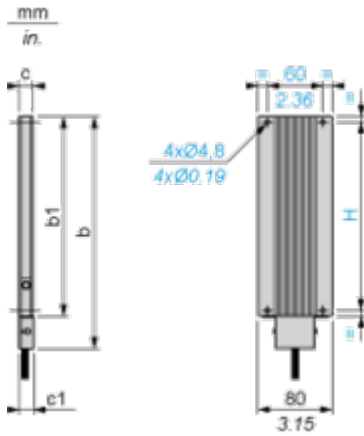
Repack and remanufacture	
Take-back	No

Dimensions Drawings

Braking Resistor

---

Dimensions



Dimensions in mm

b	b1	c	c1	H
145	110	15	15.5	98

Dimensions in in.

b	b1	c	c1	H
5.70	4.33	0.59	0.61	3.85