

Product datasheet

Specifications



circuit breaker EasyPact CVS160B,
25kA at 415VAC, 160A rating
thermal magnetic TM-D trip unit, 4P
4d

LV516323

Main

| | |
|--|--|
| Range | EasyPact |
| Range of product | EasyPact CVS100...250 |
| Product name | EasyPact CVS |
| Device short name | CVS160B |
| Product or component type | Circuit breaker |
| Device application | Distribution |
| Poles description | 4P |
| Protected poles description | 4D |
| Earth leakage protection (Vigi add on) | Without |
| [In] rated current | 160 A at 40 °C |
| Network type | AC |
| Utilisation category | Category A |
| [Icu] Breaking capacity | 40 kA Icu at 220/240 V AC 50/60 Hz conforming to IEC 60947-2 25 kA Icu at 380/415 V AC 50/60 Hz conforming to IEC 60947-2 20 kA Icu at 440 V AC 50/60 Hz conforming to IEC 60947-2 |
| Trip unit name | TM-D |
| Trip unit technology | Thermal-magnetic |
| Trip unit rating | 160 A at 40 °C |
| Protection type | Overload protection (thermal) Short-circuit protection (magnetic) |

Complementary

| | |
|--|--|
| [Uimp] rated impulse withstand voltage | 8 kV conforming to EN/IEC 60947-2 |
| Network frequency | 50/60 Hz |
| Breaking capacity code | B |
| [Ics] rated service breaking capacity | 15 kA at 440 V AC 50/60 Hz conforming to IEC 60947-2 25 kA at 380/415 V AC 50/60 Hz conforming to IEC 60947-2 40 kA at 220/240 V AC 50/60 Hz conforming to IEC 60947-2 |
| Neutral position | Left |
| Mechanical durability | 25000 cycles |
| Electrical durability | 12000 cycles 415 V In conforming to IEC 60947-2 |
| Control type | Toggle |
| Thermal protection adjustment range | 112...160 A |
| Neutral protection setting | 1 x Ir (4D) |

Excluding VAT and subject to change. Please check with your local distributor through "Where to buy"

| | |
|--|------------------|
| Long time pick-up adjustment type Ir | Adjustable |
| Long time pick-up adjustment range | 0.7...1 x In |
| Long time delay adjustment type | Fixed |
| Instantaneous pick-up adjustment type Ii | Fixed |
| Instantaneous pick-up adjustment range | 1250 A |
| Contact position indicator | Yes |
| Mounting support | Backplate |
| Mounting mode | Fixed |
| Upside connection | Front |
| Downside connection | Front |
| Connections - terminals | Screw connection |
| Connection pitch | 35 mm |
| Compatibility code | CVS160 |
| Width | 140 mm |
| Depth | 86 mm |
| Height | 161 mm |
| Net weight | 1.9 kg |

Environment

| | |
|---------------------------------------|-----------------------------|
| Standards | IEC 60947-2 EN 60947-2 |
| Product certifications | IEC GOST |
| Electrical shock protection class | Class II |
| Pollution degree | 3 conforming to IEC 60664-1 |
| IP degree of protection | IP40 |
| Ambient air temperature for operation | -25...70 °C |
| Ambient air temperature for storage | -50...85 °C |

Packing Units

| | |
|------------------------------|-----------|
| Unit Type of Package 1 | PCE |
| Number of Units in Package 1 | 1 |
| Package 1 Height | 14.000 cm |
| Package 1 Width | 15.000 cm |
| Package 1 Length | 19.000 cm |
| Package 1 Weight | 2.240 kg |
| Unit Type of Package 2 | S03 |
| Number of Units in Package 2 | 4 |
| Package 2 Height | 30.000 cm |
| Package 2 Width | 30.000 cm |
| Package 2 Length | 40.000 cm |

| | |
|------------------|----------|
| Package 2 Weight | 9.336 kg |
|------------------|----------|

Contractual warranty

| | |
|----------------------|----|
| Warranty (in months) | 18 |
|----------------------|----|



Environmental Data

Schneider Electric aims to achieve Net Zero status by 2050 through supply chain partnerships, lower impact materials, and circularity via our ongoing “Use Better, Use Longer, Use Again” campaign to extend product lifetimes and recyclability.

[Environmental Data explained >](#)

[How we assess product sustainability >](#)

Environmental footprint

Total lifecycle Carbon footprint 320

Environmental Disclosure [Product Environmental Profile](#)

Use Better

Materials and Substances

Packaging made with recycled cardboard Yes

Packaging without single use plastic No, we have minimized the use of plastic in the packaging in compliance with regulations and considering quality and safety standards

[EU RoHS Directive](#) Compliant with Exemptions

SCIP Number 49bf38c5-56a0-475d-90bd-a88ef3d2ace2

REACH Regulation [REACH Declaration](#)

Use Longer

Lifetime extension

Repair No

Use Again

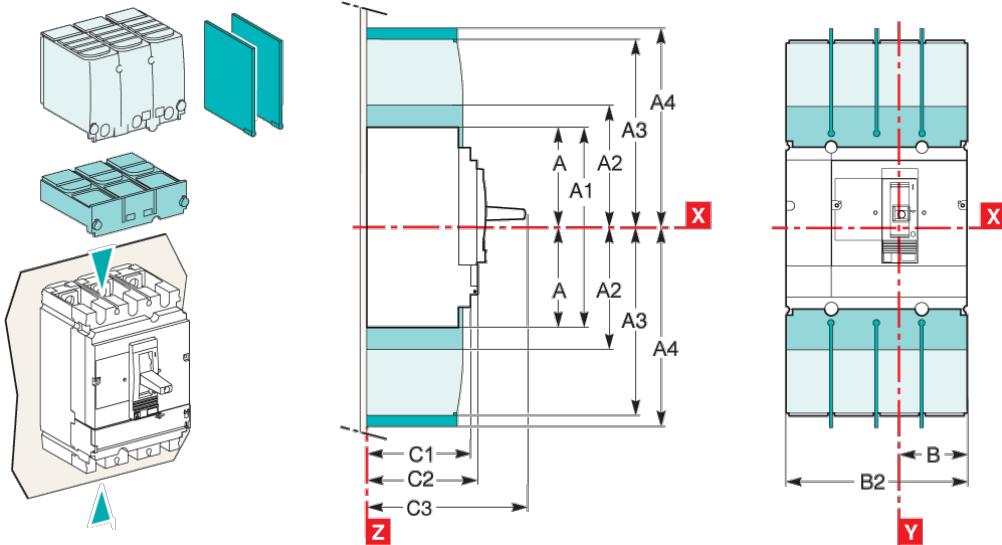
Repack and remanufacture

End of life manual availability [End of Life Information](#)

Take-back No

WEEE Label The product must be disposed on European Union markets following specific waste collection and never end up in rubbish bins

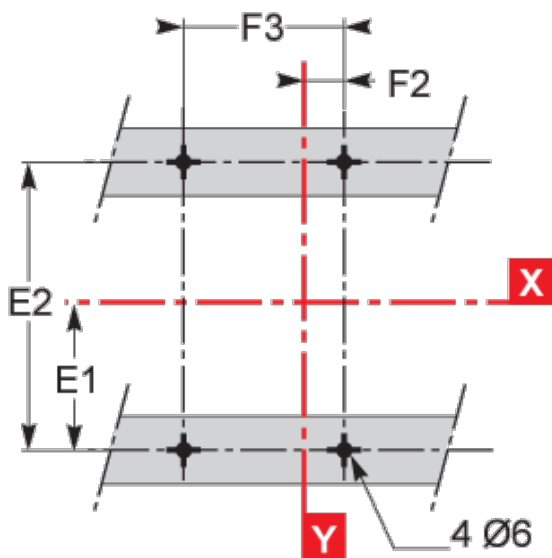
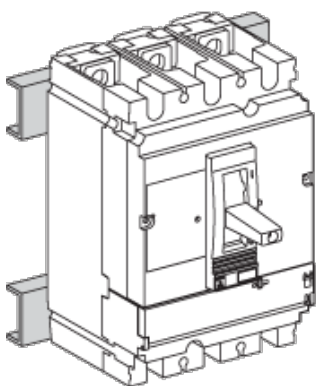
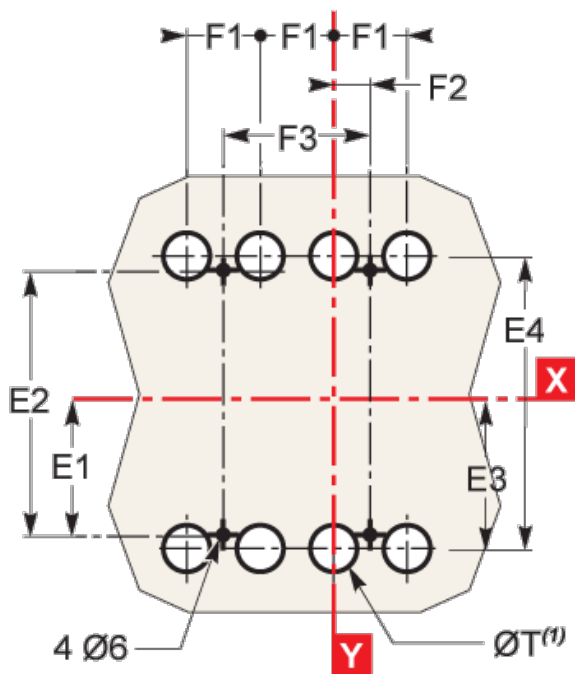
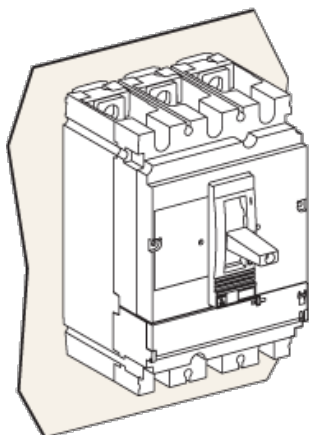
Dimensions Drawings



| Type | A | A1 | A2 | A3 | A4 | A5 | A6 | A7 | A8 | A9 | B | B1 | B2 | C1 | C2 | C3 | E1 |
|----------------|-------|-------|-------|-------|-------|-------|-----|-------|------|-------|------|-----|------|------|------|--------------------|------|
| CVS100/160/250 | 80.5 | 161 | 94 | 145 | 178.5 | 155.5 | 236 | 169 | 220 | 253.5 | 52.5 | 105 | 140 | 81 | 86 | 111 ⁽²⁾ | 62.5 |
| CVS400/630 | 127.5 | 255 | 142.5 | 200 | 237 | 227.5 | 355 | 242.5 | 300 | 337 | 70 | 140 | 185 | 95.5 | 110 | 168 | 100 |
| Type | E2 | E3 | E4 | E5 | E6 | E7 | E8 | F1 | F2 | F3 | G1 | G2 | G3 | G4 | G5 | ØT | U |
| CVS100/160/250 | 125 | 70 | 140 | 137.5 | 200 | 145 | 215 | 35 | 17.5 | 70 | 95 | 75 | 13.5 | 23 | 17.5 | 24 | y 32 |
| CVS400/630 | 200 | 113.5 | 227 | 200 | 300 | 213.5 | 327 | 45 | 22.5 | 90 | - | - | - | - | - | 32 | y 35 |

(2) C3=126mm for EasyPact CVS250B/F.

Assembly



| Type | A | A1 | A2 | A3 | A4 | A5 | A6 | A7 | A8 | A9 | B | B1 | B2 | C1 | C2 | C3 | E1 |
|----------------|-------|-------|-------|-------|-------|-------|-----|-------|------|-------|------|-----|------|------|------|--------------------|------|
| CVS100/160/250 | 80.5 | 161 | 94 | 145 | 178.5 | 155.5 | 236 | 169 | 220 | 253.5 | 52.5 | 105 | 140 | 81 | 86 | 111 ⁽²⁾ | 62.5 |
| CVS400/630 | 127.5 | 255 | 142.5 | 200 | 237 | 227.5 | 355 | 242.5 | 300 | 337 | 70 | 140 | 185 | 95.5 | 110 | 168 | 100 |
| Type | E2 | E3 | E4 | E5 | E6 | E7 | E8 | F1 | F2 | F3 | G1 | G2 | G3 | G4 | G5 | ØT | U |
| CVS100/160/250 | 125 | 70 | 140 | 137.5 | 200 | 145 | 215 | 35 | 17.5 | 70 | 95 | 75 | 13.5 | 23 | 17.5 | 24 | y32 |
| CVS400/630 | 200 | 113.5 | 227 | 200 | 300 | 213.5 | 327 | 45 | 22.5 | 90 | - | - | - | - | - | 32 | y35 |

(2) C3=126mm for EasyPact CVS250B/F.

Performance Curves



Offer Marketing Illustration

Product benefits / Features

EasyPact CVS Moulded Case Circuit Breaker



Safe

Unlock unparalleled safety and control with our wire's unique ability to safely isolate and replace auxiliaries, even with an energized circuit breaker.



Reliable

It meets IEC 60947-2 standards for quality, high endurance, and fault current limitation technology, providing superior safety and protection.



Simple

Effortless retrofitting and seamless upgrades for enhanced flexibility and performance.



Offer Marketing Illustration

Product benefits / Features



EasyPact CVS Range Accessories



Cable connectors



Terminal extension - Spreader



Terminal extension



Auxiliary contact



Terminal shield



Interphase barriers



Direct rotary handle



Extended rotary handle



Earth leakage protection

Offer Marketing Illustration

Product benefits / Features

EasyPact CVS Technical Benefits



- MCCB with adjustable setting, rated from 16 to 630A in 3 standard sizes
- Breaking capacity from 25 to 50kA at 400/415V, 3 and 4 pole versions
- Vast range of protection options, thermal-magnetic, electronic and earth leakage
- Deliver a high level of performance and cost-saving functionality
- Coordinated with selectivity and cascading for ACBs, MCCBs, MCBs

Technical Illustration

Assembly's dimensions

