

Product datasheet

Specifications

braking resistor - 27 ohm - 100 W -
cable 2 m - IP65



VW3A7602R20

Main

| | |
|---------------------------|---|
| Range of product | Altivar Lexium |
| Range compatibility | Lexium 15 Lexium 05 Lexium 28 Lexium 52 Lexium 32 Lexium 32i Easy Lexium 16 |
| Product compatibility | Motion servo drive LXM16D at 0.75 kW, 200...230 V, single phase Motion servo drive LXM16D at 1 kW, 200...230 V, single phase Motion servo drive LXM16D at 1.5 kW, 200...230 V, single phase |
| Product or component type | Braking resistor |
| Ohmic value | 27 Ohm |

Complementary

| | |
|------------------|--|
| Energy peak | 1900 J at 400 V 3800 J at 230 V 1900 J at 480 V 4200 J at 115 V |
| Continuous power | 100 W |
| Protection type | Thermal protection via the servo drive |
| Net weight | 0.78 kg |
| Cable length | 2 m |

Environment

| | |
|---------------------------------------|-------------|
| IP degree of protection | IP65 |
| Ambient air temperature for storage | -25...85 °C |
| Ambient air temperature for operation | 0...50 °C |

Packing Units

| | |
|------------------------------|---------|
| Unit Type of Package 1 | PCE |
| Number of Units in Package 1 | 1 |
| Package 1 Height | 4.5 cm |
| Package 1 Width | 40.0 cm |
| Package 1 Length | 13.0 cm |
| Package 1 Weight | 750.0 g |

Excluding VAT and subject to change. Please check with your local distributor through "Where to buy"

Contractual warranty

Warranty (in months)

18



Environmental Data

Schneider Electric aims to achieve Net Zero status by 2050 through supply chain partnerships, lower impact materials, and circularity via our ongoing “Use Better, Use Longer, Use Again” campaign to extend product lifetimes and recyclability.

[Environmental Data explained >](#)

[How we assess product sustainability >](#)

Use Better

| Materials and Substances | |
|--|--|
| Packaging made with recycled cardboard | No |
| Packaging without single use plastic | No |
| EU RoHS Directive | Pro-active compliance (Product out of EU RoHS legal scope) |
| SCIP Number | 735ea399-2868-47fa-83de-4130bb0137d4 |
| REACH Regulation | REACH Declaration |

Use Longer

| Lifetime extension | |
|--------------------|----|
| Repair | No |

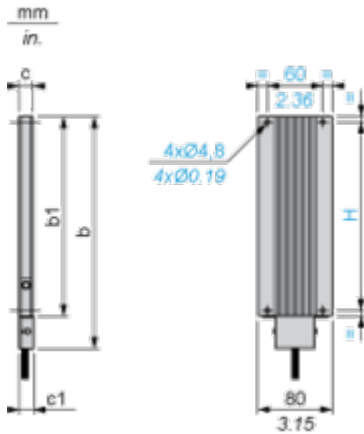
Use Again

| Repack and remanufacture | |
|--------------------------|----|
| Take-back | No |

Dimensions Drawings

Braking Resistor

Dimensions



Dimensions in mm

| b | b1 | c | c1 | H |
|-----|-----|----|------|----|
| 145 | 110 | 15 | 15.5 | 98 |

Dimensions in in.

| b | b1 | c | c1 | H |
|------|------|------|------|------|
| 5.70 | 4.33 | 0.59 | 0.61 | 3.85 |