

Product datasheet

Specifications



braking resistor - 5 ohms - 1.9 kW - IP23

VW3A7736

Price: 15,609.41 ZAR

Main

Range of product	Altivar
Range compatibility	Altivar Machine ATV320 Altivar Process ATV900 Altivar Machine ATV340
Product or component type	Braking resistor
Ohmic value	5 Ohm
[Ue] rated operational voltage	24 V DC 250 V AC

Complementary

Product compatibility	Variable speed drive ATV930 wall mount 75 kW 380...480 V light cycle Variable speed drive ATV930 wall mount 90 kW 380...480 V light cycle Variable speed drive ATV930 wall mount 18.5 kW 200...240 V light cycle Variable speed drive ATV930 wall mount 22 kW 200...240 V light cycle Variable speed drive ATV950 wall mount 75 kW 380...480 V light cycle Variable speed drive ATV950 wall mount 90 kW 380...480 V light cycle Variable speed drive ATV930 wall mount 18.5 kW 200...240 V medium cycle Variable speed drive ATV930 wall mount 22 kW 200...240 V medium cycle Variable speed drive ATV340 55 kW 380...480 V light cycle Variable speed drive ATV340 75 kW 380...480 V light cycle Variable speed drive ATV320 15 kW 200...240 V Variable speed drive ATV930 75 kW 500...690 V light cycle Variable speed drive ATV930 90 kW 500...690 V light cycle Variable speed drive ATV930 100 hp 600 V light cycle
Duty cycle	Light cycle (heavy duty) <0.8 s braking with 150 % braking torque for a 40 s cycle Light cycle (normal duty) <0.8 s braking with 120 % braking torque for a 40 s cycle Medium cycle (normal duty) <4 s braking with 135 % braking torque for a 40 s cycle Medium cycle (heavy duty) <4 s braking with 165 % braking torque for a 40 s cycle
Average power available	1.9 kW at 50 °C
Electrical connection	terminal, connection capacity: <= 2.5 mm ² / AWG 12 for temperature control switch M10 bar wire for drive
Protection type	Thermal protection via drive or temperature control switch at 120 °C
Width	540 mm
Height	485 mm
Depth	450 mm
Net weight	18 kg

Environment

IP degree of protection	IP23
Ambient air temperature for storage	-25...70 °C
Ambient air temperature for operation	0...50 °C

Excluding VAT and subject to change. Please check with your local distributor through "Where to buy"

Packing Units

Unit Type of Package 1	PCE
Number of Units in Package 1	1
Package 1 Height	48.500 cm
Package 1 Width	54.000 cm
Package 1 Length	45.000 cm
Package 1 Weight	31.000 kg

Contractual warranty

Warranty (in months)	18
----------------------	----



Environmental Data

Schneider Electric aims to achieve Net Zero status by 2050 through supply chain partnerships, lower impact materials, and circularity via our ongoing “Use Better, Use Longer, Use Again” campaign to extend product lifetimes and recyclability.

[Environmental Data explained >](#)

[How we assess product sustainability >](#)

Use Better



Materials and Substances

Packaging made with recycled cardboard

No

Packaging without single use plastic

No

[EU RoHS Directive](#)

Pro-active compliance (Product out of EU RoHS legal scope)

REACH Regulation

[REACH Declaration](#)

Use Longer



Lifetime extension

Repair

No

Use Again



Repack and remanufacture

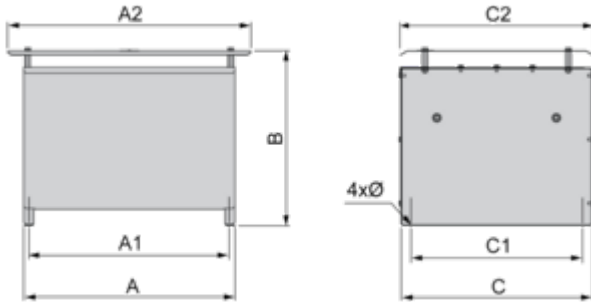
Take-back

No

Dimensions Drawings

Dimensions

Right Side and Front View



Dimensions in mm

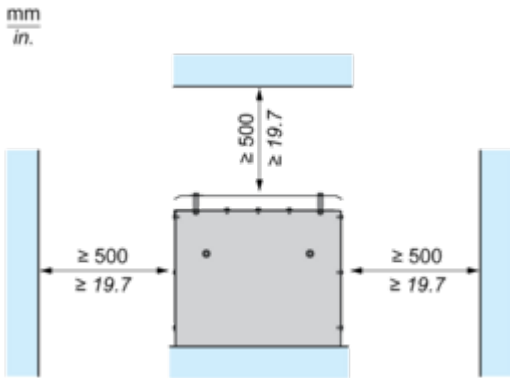
A	B	C	A1	C1	A2	C2	Ø
330	485	485	310	380	450	540	9 x 12

Dimensions in in.

A	B	C	A1	C1	A2	C2	Ø
12.99	19.09	19.09	12.20	14.96	17.71	21.26	0.35 x 0.47

Mounting and Clearance

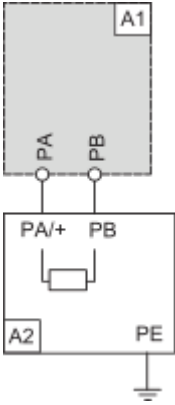
Clearances



Connections and Schema

Recommended Schema

1 Braking Resistor

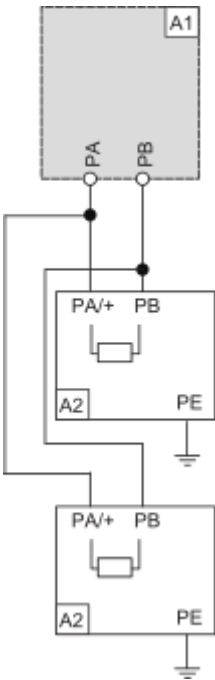


A1 : Drive or external braking unit

A2 : Braking resistor

PA, PB : Bus DC

2 Braking Resistors



A1 : Drive or external braking unit

A2 : Braking resistor

PA, PB : Bus DC