

Product datasheet

Specifications

braking resistor - 100 Ohm - 100 W -
cable 3 m - IP65



VW3A7608R30

Price: 7,033.30 ZAR

Main

Range of product	Lexium Altivar
Range compatibility	Lexium 52 Lexium 15 Altivar Machine ATV320 Lexium 32i Lexium 32 Altivar 32 Easy Altivar 310L Easy Lexium 16
Product compatibility	ATV32H018M2 ATV32H037M2 ATV32H037N4 ATV32H055M2 ATV32H055N4 ATV32H075M2 ATV32H075N4 ATV32HU11N4 ATV32HU15N4 ATV32HU22N4 Variable speed drive ATV320 at 0.18 kW, 200...240 V, single phase Variable speed drive ATV320 at 0.37 kW, 200...240 V, single phase Variable speed drive ATV320 at 0.55 kW, 200...240 V, single phase Variable speed drive ATV320 at 0.75 kW, 200...240 V, single phase Variable speed drive ATV320 at 0.37 kW, 380...500 V, three phase Variable speed drive ATV320 at 0.55 kW, 380...500 V, three phase Variable speed drive ATV320 at 0.75 kW, 380...500 V, three phase Variable speed drive ATV320 at 1.1 kW, 380...500 V, three phase Variable speed drive ATV320 at 1.5 kW, 380...500 V, three phase Variable speed drive ATV320 at 2.2 kW, 380...500 V, three phase Variable speed drive ATV320 at 0.75 kW, 525...600 V, three phase Variable speed drive ATV320 at 1.5 kW, 525...600 V, three phase Variable speed drive ATV320 at 2.2 kW, 525...600 V, three phase Variable speed drive ATV310L at 0.75 kW Variable speed drive ATV310L at 1.5 kW Variable speed drive ATV310L at 2.2 kW Variable speed drive ATV310L at 3.0 kW Variable speed drive ATV310L at 4.0 kW Variable speed drive ATV310L at 5.5 kW Motion servo drive LXM16D at 0.1 kW, 200...230 V, single phase Motion servo drive LXM16D at 0.2 kW, 200...230 V, single phase Motion servo drive LXM16D at 0.4 kW, 200...230 V, single phase Motion servo drive LXM16D at 0.75 kW, 200...230 V, single phase Motion servo drive LXM16D at 1 kW, 200...230 V, single phase Motion servo drive LXM16D at 1.5 kW, 200...230 V, single phase
Product or component type	Braking resistor
Ohmic value	100 Ohm

Complementary

Energy peak	2700 J at 480 V 3000 J at 400 V 4500 J at 230 V 4400 J at 115 V
Average power available	25 W at 50 °C

Excluding VAT and subject to change. Please check with your local distributor through "Where to buy"

Continuous power	100 W
Protection type	Thermal protection via the servo drive
Net weight	0.76 kg
Cable length	3 m

Environment

IP degree of protection	IP65
Ambient air temperature for storage	-25...85 °C
Ambient air temperature for operation	0...50 °C

Packing Units

Unit Type of Package 1	PCE
Number of Units in Package 1	1
Package 1 Height	4.700 cm
Package 1 Width	12.600 cm
Package 1 Length	39.600 cm
Package 1 Weight	884.000 g
Unit Type of Package 2	S04
Number of Units in Package 2	10
Package 2 Height	30.000 cm
Package 2 Width	40.000 cm
Package 2 Length	60.000 cm
Package 2 Weight	9.670 kg

Contractual warranty

Warranty (in months)	18
----------------------	----



Environmental Data

Schneider Electric aims to achieve Net Zero status by 2050 through supply chain partnerships, lower impact materials, and circularity via our ongoing “Use Better, Use Longer, Use Again” campaign to extend product lifetimes and recyclability.

[Environmental Data explained >](#)

[How we assess product sustainability >](#)

Use Better

Materials and Substances	
Packaging made with recycled cardboard	Yes
Packaging without single use plastic	No
EU RoHS Directive	Pro-active compliance (Product out of EU RoHS legal scope)
REACH Regulation	REACH Declaration
PVC free	Yes

Use Longer

Lifetime extension	
Repair	No

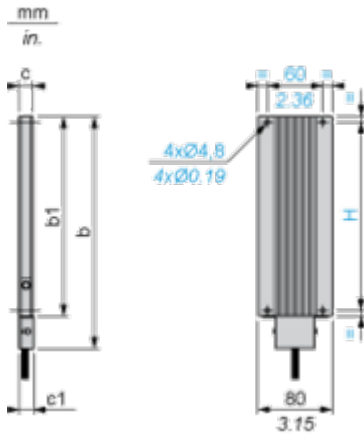
Use Again

Repack and remanufacture	
Take-back	No

Dimensions Drawings

Braking Resistor

Dimensions



Dimensions in mm

b	b1	c	c1	H
145	110	15	15.5	98

Dimensions in in.

b	b1	c	c1	H
5.70	4.33	0.59	0.61	3.85