

# Product datasheet

Specifications



variable speed drive, Altivar 12,  
3kW, 3hp, 3 phases, 200 to 240V,  
on base plate

ATV12PU30M3

## Main

Range of product	Altivar 12
Product or component type	Variable speed drive
Product specific application	Simple machine
Mounting mode	Cabinet mount
Communication port protocol	Modbus
Supply frequency	50/60 Hz +/- 5 %
[Us] rated supply voltage	200...240 V - 15...10 %
nominal output current	12.2 A
Motor power kW	3 kW
EMC filter	Without EMC filter
IP degree of protection	IP20

## Complementary

Discrete input number	4
Discrete output number	2
Analogue input number	1
Analogue output number	1
Relay output number	1
Physical interface	2-wire RS 485
Connector type	1 RJ45
Continuous output current	12.2 A at 4 kHz
Method of access	Server Modbus serial
Speed drive output frequency	0.5...400 Hz
Speed range	1...20
Sampling duration	20 ms, tolerance +/- 1 ms for logic input 10 ms for analogue input
Linearity error	+/- 0.3 % of maximum value for analogue input
Frequency resolution	Analog input: converter A/D, 10 bits Display unit: 0.1 Hz
Time constant	20 ms +/- 1 ms for reference change
Transmission rate	9.6 kbit/s 19.2 kbit/s 38.4 kbit/s

Excluding VAT and subject to change. Please check with your local distributor through "Where to buy"

<b>Transmission frame</b>	RTU
<b>Number of addresses</b>	1...247
<b>Data format</b>	8 bits, configurable odd, even or no parity
<b>Communication service</b>	Read holding registers (03) 29 words Write single register (06) 29 words Write multiple registers (16) 27 words Read/write multiple registers (23) 4/4 words Read device identification (43)
<b>Type of polarization</b>	No impedance
<b>4 quadrant operation possible</b>	False
<b>Asynchronous motor control profile</b>	Sensorless flux vector control Voltage/frequency ratio (V/f) Quadratic voltage/frequency ratio
<b>Maximum output frequency</b>	4 kHz
<b>Transient overtorque</b>	150...170 % of nominal motor torque depending on drive rating and type of motor
<b>Acceleration and deceleration ramps</b>	S U Linear from 0 to 999.9 s
<b>Motor slip compensation</b>	Preset in factory Adjustable
<b>Switching frequency</b>	2...16 kHz adjustable 4...16 kHz with derating factor
<b>Nominal switching frequency</b>	4 kHz
<b>Braking to standstill</b>	By DC injection
<b>Brake chopper integrated</b>	False
<b>Line current</b>	19.0 A at 100 V (heavy duty) 15.9 A at 120 V (heavy duty)
<b>Maximum input current</b>	15.9 A
<b>Maximum output voltage</b>	240 V
<b>Apparent power</b>	6.6 kVA at 240 V (heavy duty)
<b>Maximum transient current</b>	18.3 A during 60 s (heavy duty) 20.1 A during 2 s (heavy duty)
<b>Network frequency</b>	50...60 Hz
<b>Relative symmetric network frequency tolerance</b>	5 %
<b>Prospective line I<sub>sc</sub></b>	5 kA
<b>Base load current at high overload</b>	12.2 A
<b>Power dissipation in W</b>	Natural: 94.0 W
<b>With safety function Safely Limited Speed (SLS)</b>	False
<b>With safety function Safe brake management (SBC/SBT)</b>	False
<b>With safety function Safe Operating Stop (SOS)</b>	False
<b>With safety function Safe Position (SP)</b>	False
<b>With safety function Safe programmable logic</b>	False
<b>With safety function Safe Speed Monitor (SSM)</b>	False
<b>With safety function Safe Stop 1 (SS1)</b>	False
<b>With safety function Safe Stop 2 (SS2)</b>	False

<b>With safety function Safe torque off (STO)</b>	False
<b>With safety function Safely Limited Position (SLP)</b>	False
<b>With safety function Safe Direction (SDI)</b>	False
<b>Protection type</b>	Line supply overvoltage Line supply undervoltage Overcurrent between output phases and earth Overheating protection Short-circuit between motor phases Against input phase loss in three-phase Thermal motor protection via the drive by continuous calculation of I <sub>t</sub>
<b>tightening torque</b>	1.2 N.m
<b>Insulation</b>	Electrical between power and control
<b>Quantity per set</b>	Set of 1
<b>Width</b>	140 mm
<b>Height</b>	184 mm
<b>Depth</b>	100.2 mm
<b>Net weight</b>	1.6 kg

## Environment

<b>Operating altitude</b>	<= 1000 m without derating > 1000...3000 m with current derating 1 % per 100 m
<b>Operating position</b>	Vertical +/- 10 degree
<b>Product certifications</b>	NOM CSA C-Tick UL GOST RCM KC
<b>Marking</b>	CE
<b>Standards</b>	UL 508C UL 618000-5-1 IEC 61800-5-1 IEC 61800-3
<b>Assembly style</b>	On base plate
<b>Electromagnetic compatibility</b>	Electrical fast transient/burst immunity test level 4 conforming to IEC 61000-4-4 Electrostatic discharge immunity test level 3 conforming to IEC 61000-4-2 Immunity to conducted disturbances level 3 conforming to IEC 61000-4-6 Radiated radio-frequency electromagnetic field immunity test level 3 conforming to IEC 61000-4-3 Surge immunity test level 3 conforming to IEC 61000-4-5 Voltage dips and interruptions immunity test conforming to IEC 61000-4-11
<b>Environmental class (during operation)</b>	Class 3C3 according to IEC 60721-3-3 Class 3S2 according to IEC 60721-3-3
<b>Maximum acceleration under shock impact (during operation)</b>	150 m/s <sup>2</sup> at 11 ms
<b>Maximum acceleration under vibrational stress (during operation)</b>	10 m/s <sup>2</sup> at 13...200 Hz
<b>Maximum deflection under vibratory load (during operation)</b>	1.5 mm at 2...13 Hz
<b>Overvoltage category</b>	Class III
<b>Regulation loop</b>	Adjustable PID regulator
<b>Electromagnetic emission</b>	Radiated emissions environment 1 category C2 conforming to IEC 61800-3 2...16 kHz shielded motor cable Conducted emissions conforming to IEC 61800-3

<b>Vibration resistance</b>	1 gn (f = 13...200 Hz) conforming to IEC 60068-2-6 1.5 mm peak to peak (f = 3...13 Hz) - drive unmounted on symmetrical DIN rail - conforming to IEC 60068-2-6
<b>Shock resistance</b>	15 gn conforming to IEC 60068-2-27 for 11 ms
<b>Relative humidity</b>	5...95 % without condensation conforming to IEC 60068-2-3 5...95 % without dripping water conforming to IEC 60068-2-3
<b>Noise level</b>	0 dB
<b>Pollution degree</b>	2
<b>Ambient air transport temperature</b>	-25...70 °C
<b>Ambient air temperature for operation</b>	-10...40 °C without derating 40...60 °C with current derating 2.2 % per °C
<b>Ambient air temperature for storage</b>	-25...70 °C

## Packing Units

<b>Unit Type of Package 1</b>	PCE
<b>Number of Units in Package 1</b>	1
<b>Package 1 Height</b>	24.800 cm
<b>Package 1 Width</b>	19.500 cm
<b>Package 1 Length</b>	26.700 cm
<b>Package 1 Weight</b>	2.200 kg
<b>Unit Type of Package 2</b>	S06
<b>Number of Units in Package 2</b>	12
<b>Package 2 Height</b>	75.000 cm
<b>Package 2 Width</b>	60.000 cm
<b>Package 2 Length</b>	80.000 cm
<b>Package 2 Weight</b>	39.400 kg

## Contractual warranty

<b>Warranty (in months)</b>	18
-----------------------------	----



## Environmental Data

Schneider Electric aims to achieve Net Zero status by 2050 through supply chain partnerships, lower impact materials, and circularity via our ongoing “Use Better, Use Longer, Use Again” campaign to extend product lifetimes and recyclability.

[Environmental Data explained >](#)

[How we assess product sustainability >](#)

### Use Better

#### Materials and Substances

Packaging made with recycled cardboard **Yes**

Packaging without single use plastic **Yes**

[EU RoHS Directive](#) **Pro-active compliance (Product out of EU RoHS legal scope)**

SCIP Number **Eb402eec-70b4-4110-88ef-bfba25b2fe94**

REACH Regulation **[REACH Declaration](#)**

#### Energy efficiency

Product contributes to saved and avoided emissions **Yes**

### Use Longer

#### Lifetime extension

Repair **No**

### Use Again

#### Repack and remanufacture

Take-back **No**

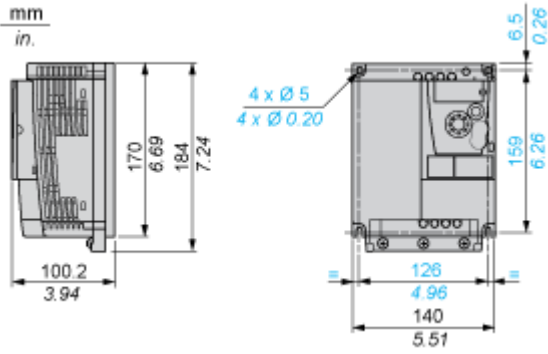
WEEE Label **The product must be disposed on European Union markets following specific waste collection and never end up in rubbish bins**

Dimensions Drawings

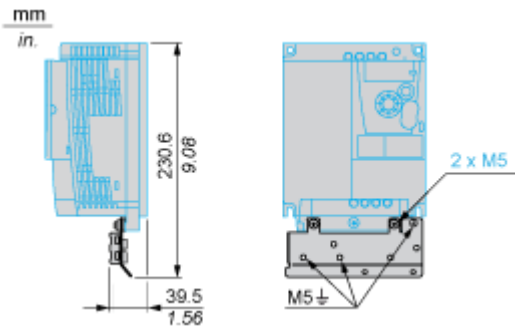
Dimensions

---

Drive without EMC Conformity Kit



Drive with EMC Conformity Kit



Mounting and Clearance

Mounting Recommendations

---

Clearance for Vertical Mounting



Mounting Type A



Mounting Type B



Remove the protective cover from the top of the drive.

Mounting Type C

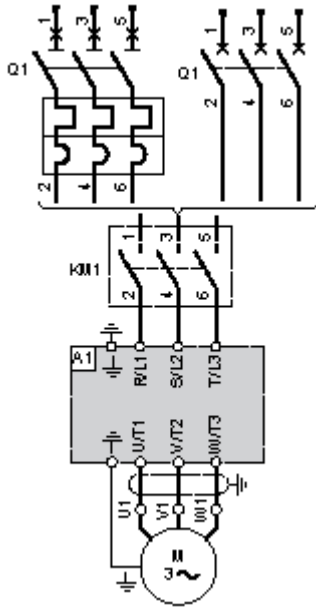


Remove the protective cover from the top of the drive.

Connections and Schema

Three-Phase Power Supply Wiring Diagram

---

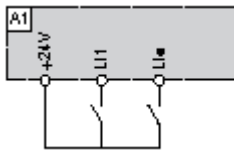


- A1 Drive
- KM1 Contactor (only if a control circuit is needed)
- Q1 Circuit breaker

Recommended Schemes

---

2-Wire Control for Logic I/O with Internal Power Supply



LI1 : Forward

LI\* : Reverse

A1 : Drive

3-Wire Control for Logic I/O with Internal Power Supply



LI1 : Stop

LI2 : Forward

LI\* : Reverse

A1 : Drive

Analog Input Configured for Voltage with Internal Power Supply



(1) 2.2 kΩ...10 kΩ reference potentiometer

A1 : Drive

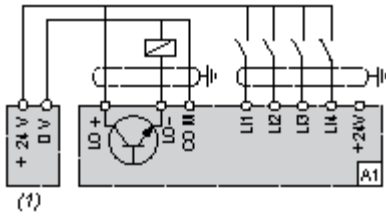
Analog Input Configured for Current with Internal Power Supply



(2) 0-20 mA 4-20 mA supply

A1 : Drive

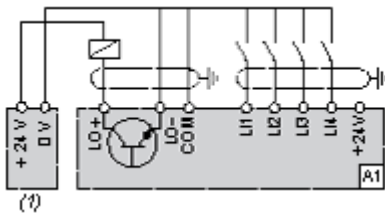
Connected as Positive Logic (Source) with External 24 vdc Supply



(1) 24 vdc supply

A1 : Drive

Connected as Negative Logic (Sink) with External 24 vdc supply

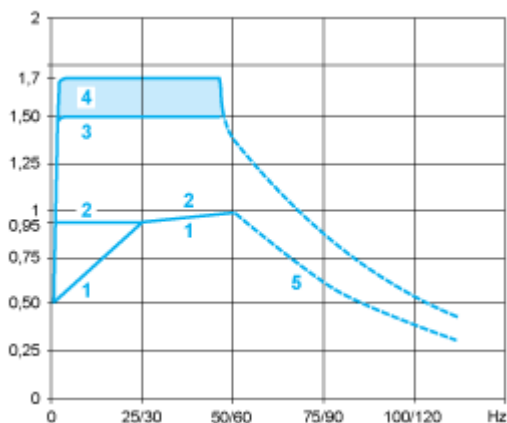


(1) 24 vdc supply

A1 : Drive

## Performance Curves

## Torque Curves



- 1 : Self-cooled motor: continuous useful torque (1)
- 2 : Force-cooled motor: continuous useful torque
- 3 : Transient overtorque for 60 s
- 4 : Transient overtorque for 2 s
- 5 : Torque in overspeed at constant power (2)

(1) For power ratings  $\leq 250$  W, derating is 20% instead of 50% at very low frequencies.

(2) The nominal motor frequency and the maximum output frequency can be adjusted from 0.5 to 400 Hz. The mechanical overspeed capability of the selected motor must be checked with the manufacturer.