

# Product datasheet

Specifications

braking resistor - 72 ohm - 400 W -  
cable 0.75 m - IP65



VW3A7607R07

## Main

Range of product	Lexium Altivar
Range compatibility	Lexium 32i Lexium 52 Lexium 05 Lexium 15 Lexium 32 Lexium 28 Easy Lexium 16
Product compatibility	Motion servo drive LXM16D at 0.1 kW, 200...230 V, single phase Motion servo drive LXM16D at 0.2 kW, 200...230 V, single phase Motion servo drive LXM16D at 0.4 kW, 200...230 V, single phase Motion servo drive LXM16D at 0.75 kW, 200...230 V, single phase Motion servo drive LXM16D at 1 kW, 200...230 V, single phase Motion servo drive LXM16D at 1.5 kW, 200...230 V, single phase
Product or component type	Braking resistor
Ohmic value	72 Ohm

## Complementary

Energy peak	15500 J at 480 V 16200 J at 400 V 24700 J at 230 V 36600 J at 115 V
Continuous power	400 W
Protection type	Thermal protection via the servo drive
Net weight	1.42 kg
Cable length	0.75 m

## Environment

IP degree of protection	IP65
Ambient air temperature for storage	-25...85 °C
Ambient air temperature for operation	0...50 °C

## Packing Units

Unit Type of Package 1	PCE
Number of Units in Package 1	1
Package 1 Height	3.810 cm
Package 1 Width	12.700 cm
Package 1 Length	39.370 cm

Excluding VAT and subject to change. Please check with your local distributor through "Where to buy"

Package 1 Weight	1.424 kg
Unit Type of Package 2	CAR
Number of Units in Package 2	12
Package 2 Height	10.000 cm
Package 2 Width	10.000 cm
Package 2 Length	10.000 cm
Package 2 Weight	997.902 g

## Contractual warranty

Warranty (in months)	18
----------------------	----



## Environmental Data

Schneider Electric aims to achieve Net Zero status by 2050 through supply chain partnerships, lower impact materials, and circularity via our ongoing “Use Better, Use Longer, Use Again” campaign to extend product lifetimes and recyclability.

[Environmental Data explained >](#)

[How we assess product sustainability >](#)

### Use Better



#### Materials and Substances

Packaging made with recycled cardboard

No

Packaging without single use plastic

No

[EU RoHS Directive](#)

Pro-active compliance (Product out of EU RoHS legal scope)

SCIP Number

735ea399-2868-47fa-83de-4130bb0137d4

REACH Regulation

[REACH Declaration](#)

### Use Longer



#### Lifetime extension

Repair

No

### Use Again



#### Repack and remanufacture

Take-back

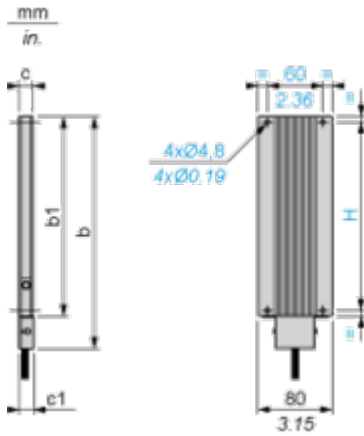
No

Dimensions Drawings

Braking Resistor

---

Dimensions



Dimensions in mm

b	b1	c	c1	H
257	216	30	-	204

Dimensions in in.

b	b1	c	c1	H
10.11	8.50	1.18	-	8.03