

# Product datasheet

Specifications



## braking resistor - 16 ohms - 14 kW - IP23

VW3A7753

**Price: 39,037.53 ZAR**

### Main

Range compatibility	Altivar Machine ATV340 Altivar Process ATV900
Product or component type	Braking resistor
Ohmic value	16 Ohm
[Ue] rated operational voltage	24 V DC 250 V AC

### Complementary

Product compatibility	Variable speed drive ATV930 wall mount 18.5 kW 380...480 V severe cycle Variable speed drive ATV930 wall mount 22 kW 380...480 V severe cycle Variable speed drive ATV930 wall mount 30 kW 380...480 V severe cycle Variable speed drive ATV930 wall mount 7.5 kW 200...240 V severe cycle Variable speed drive ATV950 wall mount 18.5 kW 380...480 V severe cycle Variable speed drive ATV950 wall mount 22 kW 380...480 V severe cycle Variable speed drive ATV950 wall mount 30 kW 380...480 V severe cycle Variable speed drive ATV340 15 kW 380...480 V severe cycle Variable speed drive ATV340 18 kW 380...480 V severe cycle Variable speed drive ATV340 22 kW 380...480 V severe cycle Variable speed drive ATV930 22 kW 500...690 V severe cycle Variable speed drive ATV930 30 kW 500...690 V severe cycle Variable speed drive ATV930 37 kW 500...690 V severe cycle Variable speed drive ATV930 30 hp 600 V severe cycle Variable speed drive ATV930 40 hp 600 V severe cycle Variable speed drive ATV930 50 hp 600 V severe cycle
Duty cycle	Severe cycle (heavy duty) <54 s braking with 100 % braking torque for a 120 s cycle Severe cycle (heavy duty) <6 s braking with 165 % braking torque for a 120 s cycle
Average power available	14 kW at 50 °C
Electrical connection	terminal, connection capacity: <= 2.5 mm <sup>2</sup> / AWG 12 for temperature control switch M6 bar wire for drive
Protection type	Thermal protection via drive or temperature control switch at 120 °C
Width	540 mm
Height	605 mm
Depth	1060 mm
Net weight	48.5 kg

### Environment

IP degree of protection	IP23
Ambient air temperature for storage	-25...70 °C
Ambient air temperature for operation	0...50 °C

### Packing Units

Excluding VAT and subject to change. Please check with your local distributor through "Where to buy"

---

<b>Unit Type of Package 1</b>	PCE
<b>Number of Units in Package 1</b>	1
<b>Package 1 Height</b>	80.000 cm
<b>Package 1 Width</b>	92.000 cm
<b>Package 1 Length</b>	120.000 cm
<b>Package 1 Weight</b>	73.000 kg

---

## **Contractual warranty**

---

<b>Warranty (in months)</b>	18
-----------------------------	----



## Environmental Data

Schneider Electric aims to achieve Net Zero status by 2050 through supply chain partnerships, lower impact materials, and circularity via our ongoing “Use Better, Use Longer, Use Again” campaign to extend product lifetimes and recyclability.

[Environmental Data explained >](#)

[How we assess product sustainability >](#)

### Use Better



#### Materials and Substances

Packaging made with recycled cardboard

No

Packaging without single use plastic

No

[EU RoHS Directive](#)

Pro-active compliance (Product out of EU RoHS legal scope)

REACH Regulation

[REACH Declaration](#)

### Use Longer



#### Lifetime extension

Repair

No

### Use Again



#### Repack and remanufacture

Take-back

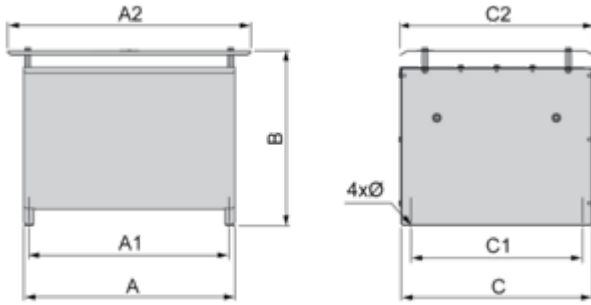
No

Dimensions Drawings

Dimensions

---

Right Side and Front View



Dimensions in mm

A	B	C	A1	C1	A2	C2	Ø
940	605	485	920	380	1060	540	9 x 12

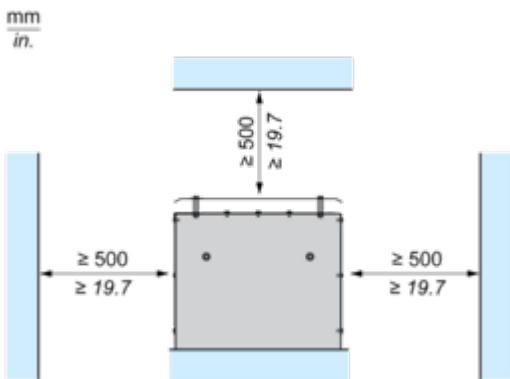
Dimensions in in.

A	B	C	A1	C1	A2	C2	Ø
37.00	23.82	19.09	36.22	14.96	41.73	21.26	0.35 x 0.47

Mounting and Clearance

Clearances

---



Connections and Schema

Recommended Schema

---

1 Braking Resistor



A1 : Drive or external braking unit

A2 : Braking resistor

PA, PB : Bus DC

2 Braking Resistors



A1 : Drive or external braking unit

A2 : Braking resistor

PA, PB : Bus DC