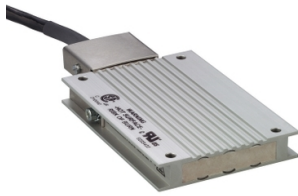


Product datasheet

Specifications



braking resistor - 27 ohm - 400 W -
cable 2 m - IP65

VW3A7604R20

Price: 6,624.07 ZAR

Main

Range of product	Lexium Altivar
Range compatibility	Lexium 15 Lexium 52 Lexium 32i Lexium 32 Lexium 05 Lexium 28 Easy Lexium 16
Product compatibility	Motion servo drive LXM16D at 0.75 kW, 200...230 V, single phase Motion servo drive LXM16D at 1 kW, 200...230 V, single phase Motion servo drive LXM16D at 1.5 kW, 200...230 V, single phase
Product or component type	Braking resistor
Ohmic value	27 Ohm

Complementary

Energy peak	10500 J at 480 V 11400 J at 400 V 18100 J at 230 V 25500 J at 115 V
Continuous power	400 W
Protection type	Thermal protection via the servo drive
Net weight	1.47 kg
Cable length	2 m

Environment

IP degree of protection	IP65
Ambient air temperature for storage	-25...85 °C
Ambient air temperature for operation	0...50 °C

Packing Units

Unit Type of Package 1	PCE
Number of Units in Package 1	1
Package 1 Height	4.500 cm
Package 1 Width	12.500 cm
Package 1 Length	39.500 cm
Package 1 Weight	1.614 kg
Unit Type of Package 2	CAR

Excluding VAT and subject to change. Please check with your local distributor through "Where to buy"

Number of Units in Package 2	6
Package 2 Height	26.000 cm
Package 2 Width	22.000 cm
Package 2 Length	42.000 cm
Package 2 Weight	9.968 kg
Unit Type of Package 3	P12
Number of Units in Package 3	108
Package 3 Height	95.000 cm
Package 3 Width	80.000 cm
Package 3 Length	120.000 cm
Package 3 Weight	199.420 kg

Contractual warranty

Warranty (in months)	18
-----------------------------	----



Environmental Data

Schneider Electric aims to achieve Net Zero status by 2050 through supply chain partnerships, lower impact materials, and circularity via our ongoing “Use Better, Use Longer, Use Again” campaign to extend product lifetimes and recyclability.

[Environmental Data explained >](#)

[How we assess product sustainability >](#)

Use Better

Materials and Substances	
Packaging made with recycled cardboard	No
Packaging without single use plastic	No
EU RoHS Directive	Pro-active compliance (Product out of EU RoHS legal scope)
REACH Regulation	REACH Declaration
PVC free	Yes

Use Longer

Lifetime extension	
Repair	No

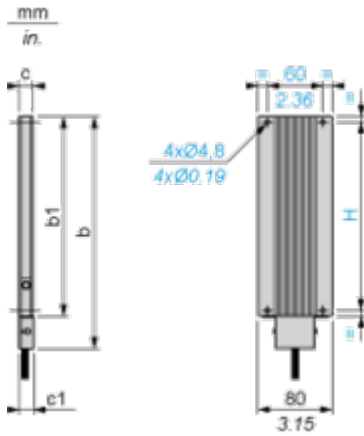
Use Again

Repack and remanufacture	
Take-back	No

Dimensions Drawings

Braking Resistor

Dimensions



Dimensions in mm

b	b1	c	c1	H
257	216	30	-	204

Dimensions in in.

b	b1	c	c1	H
10.11	8.50	1.18	-	8.03