

# Product datasheet

Specifications

braking resistor - 27 ohm - 200 W -  
cable 0.75 m - IP65



VW3A7603R07

## Main

Range of product	Altivar Lexium
Range compatibility	Altivar Machine ATV320 Altivar 32 Lexium 15 Lexium 52 Lexium 32 Lexium 32i Lexium 05 Lexium 28 Easy Lexium 16
Product compatibility	ATV32HU22M2 Variable speed drive ATV320 at 2.2 kW, 200...240 V, single phase Motion servo drive LXM16D at 0.75 kW, 200...230 V, single phase Motion servo drive LXM16D at 1 kW, 200...230 V, single phase Motion servo drive LXM16D at 1.5 kW, 200...230 V, single phase
Product or component type	Braking resistor
Ohmic value	27 Ohm

## Complementary

Energy peak	4300 J at 480 V 4900 J at 400 V 7400 J at 230 V 9700 J at 115 V
Average power available	50 W at 50 °C
Continuous power	200 W
Protection type	Thermal protection via the servo drive
Net weight	0.93 kg
Cable length	0.75 m

## Environment

IP degree of protection	IP65
Ambient air temperature for storage	-25...85 °C
Ambient air temperature for operation	0...50 °C

## Packing Units

Unit Type of Package 1	PCE
Number of Units in Package 1	1
Package 1 Height	4.500 cm
Package 1 Width	40.000 cm

Excluding VAT and subject to change. Please check with your local distributor through "Where to buy"

---

Package 1 Length	13.000 cm
------------------	-----------

---

Package 1 Weight	920.500 g
------------------	-----------

## Contractual warranty

---

Warranty (in months)	18
----------------------	----



## Environmental Data

Schneider Electric aims to achieve Net Zero status by 2050 through supply chain partnerships, lower impact materials, and circularity via our ongoing “Use Better, Use Longer, Use Again” campaign to extend product lifetimes and recyclability.

[Environmental Data explained >](#)

[How we assess product sustainability >](#)

### Use Better

Materials and Substances	
Packaging made with recycled cardboard	No
Packaging without single use plastic	No
<a href="#">EU RoHS Directive</a>	Pro-active compliance (Product out of EU RoHS legal scope)
REACH Regulation	<a href="#">REACH Declaration</a>
PVC free	Yes

### Use Longer

Lifetime extension	
Repair	No

### Use Again

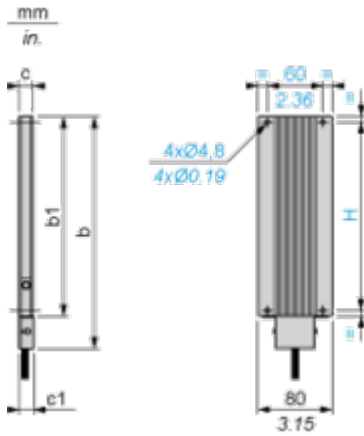
Repack and remanufacture	
Take-back	No

Dimensions Drawings

Braking Resistor

---

Dimensions



Dimensions in mm

b	b1	c	c1	H
251	216	15	15.5	204

Dimensions in in.

b	b1	c	c1	H
9.88	8.50	0.59	0.61	8.03