

Product datasheet

Specifications

braking resistor - 72 ohm - 200 W -
cable 0.75 m - IP65



VW3A7606R07

Main

Range of product	Lexium Altivar
Range compatibility	Lexium 05 Altivar 32 Lexium 52 Lexium 28 Lexium 32 Lexium 15 Altivar Machine ATV320 Lexium 32i Easy Lexium 16
Product compatibility	ATV32HU30N4 ATV32HU40N4 Variable speed drive ATV320 at 3 kW, 380...500 V, three phase Variable speed drive ATV320 at 4 kW, 380...500 V, three phase Variable speed drive ATV320 at 4 kW, 525...600 V, three phase Motion servo drive LXM16D at 0.1 kW, 200...230 V, single phase Motion servo drive LXM16D at 0.2 kW, 200...230 V, single phase Motion servo drive LXM16D at 0.4 kW, 200...230 V, single phase Motion servo drive LXM16D at 0.75 kW, 200...230 V, single phase Motion servo drive LXM16D at 1 kW, 200...230 V, single phase Motion servo drive LXM16D at 1.5 kW, 200...230 V, single phase
Product or component type	Braking resistor
Ohmic value	72 Ohm

Complementary

Energy peak	6000 J at 480 V 6600 J at 400 V 9600 J at 230 V 14600 J at 115 V
Average power available	50 W at 50 °C
Continuous power	200 W
Protection type	Thermal protection via the servo drive
Net weight	0.93 kg
Cable length	0.75 m

Environment

IP degree of protection	IP65
Ambient air temperature for storage	-25...85 °C
Ambient air temperature for operation	0...50 °C

Packing Units

Unit Type of Package 1	PCE
------------------------	-----

Excluding VAT and subject to change. Please check with your local distributor through "Where to buy"

Number of Units in Package 1	1
Package 1 Height	5.300 cm
Package 1 Width	11.000 cm
Package 1 Length	39.500 cm
Package 1 Weight	918.000 g
Unit Type of Package 2	S04
Number of Units in Package 2	10
Package 2 Height	30.000 cm
Package 2 Width	40.000 cm
Package 2 Length	60.000 cm
Package 2 Weight	10.432 kg

Contractual warranty

Warranty (in months)	18
-----------------------------	----



Environmental Data

Schneider Electric aims to achieve Net Zero status by 2050 through supply chain partnerships, lower impact materials, and circularity via our ongoing “Use Better, Use Longer, Use Again” campaign to extend product lifetimes and recyclability.

[Environmental Data explained >](#)

[How we assess product sustainability >](#)

Use Better



Materials and Substances

Packaging made with recycled cardboard

No

Packaging without single use plastic

No

[EU RoHS Directive](#)

Pro-active compliance (Product out of EU RoHS legal scope)

SCIP Number

735ea399-2868-47fa-83de-4130bb0137d4

REACH Regulation

[REACH Declaration](#)

Use Longer



Lifetime extension

Repair

No

Use Again



Repack and remanufacture

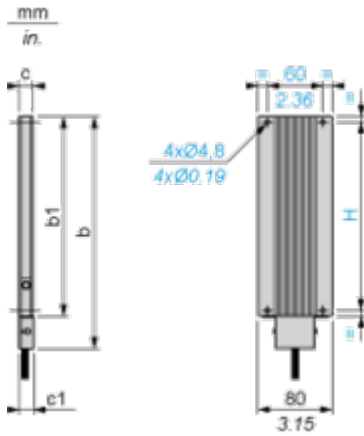
Take-back

No

Dimensions Drawings

Braking Resistor

Dimensions



Dimensions in mm

b	b1	c	c1	H
251	216	15	15.5	204

Dimensions in in.

b	b1	c	c1	H
9.88	8.50	0.59	0.61	8.03