

# Product datasheet

Specifications

braking resistor - 72 ohm - 400 W -  
cable 2 m - IP65



VW3A7607R20

## Main

Range of product	Altivar Lexium
Range compatibility	Lexium 32 Lexium 52 Lexium 28 Lexium 05 Lexium 15 Lexium 32i Easy Lexium 16
Product compatibility	Motion servo drive LXM16D at 0.1 kW, 200...230 V, single phase Motion servo drive LXM16D at 0.2 kW, 200...230 V, single phase Motion servo drive LXM16D at 0.4 kW, 200...230 V, single phase Motion servo drive LXM16D at 0.75 kW, 200...230 V, single phase Motion servo drive LXM16D at 1 kW, 200...230 V, single phase Motion servo drive LXM16D at 1.5 kW, 200...230 V, single phase
Product or component type	Braking resistor
Ohmic value	72 Ohm

## Complementary

Energy peak	15500 J at 480 V 16200 J at 400 V 24700 J at 230 V 36600 J at 115 V
Continuous power	400 W
Protection type	Thermal protection via the servo drive
Net weight	1.47 kg
Cable length	2 m

## Environment

IP degree of protection	IP65
Ambient air temperature for storage	-25...85 °C
Ambient air temperature for operation	0...50 °C

## Packing Units

Unit Type of Package 1	PCE
Number of Units in Package 1	1
Package 1 Height	5.100 cm
Package 1 Width	12.800 cm
Package 1 Length	40.500 cm

Excluding VAT and subject to change. Please check with your local distributor through "Where to buy"

---

Package 1 Weight	1.586 kg
------------------	----------

## Contractual warranty

---

Warranty (in months)	18
----------------------	----



## Environmental Data

Schneider Electric aims to achieve Net Zero status by 2050 through supply chain partnerships, lower impact materials, and circularity via our ongoing “Use Better, Use Longer, Use Again” campaign to extend product lifetimes and recyclability.

[Environmental Data explained >](#)

[How we assess product sustainability >](#)

### Use Better

<b>Materials and Substances</b>	
Packaging made with recycled cardboard	No
Packaging without single use plastic	No
<a href="#">EU RoHS Directive</a>	Pro-active compliance (Product out of EU RoHS legal scope)
SCIP Number	735ea399-2868-47fa-83de-4130bb0137d4
REACH Regulation	<a href="#">REACH Declaration</a>

### Use Longer

<b>Lifetime extension</b>	
Repair	No

### Use Again

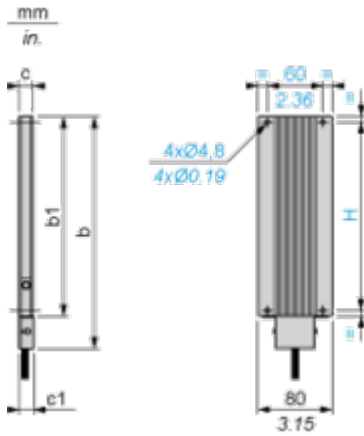
<b>Repack and remanufacture</b>	
Take-back	No

Dimensions Drawings

Braking Resistor

---

Dimensions



Dimensions in mm

b	b1	c	c1	H
257	216	30	-	204

Dimensions in in.

b	b1	c	c1	H
10.11	8.50	1.18	-	8.03